



► Model G-STR

Global Series™ Signaling Platform – 21J Strobe

The Federal Signal patented Global Series™ Strobes feature a high-intensity xenon strobe tube operated at 21J. The housing is made from non-metallic materials designed to serve the demanding needs of offshore marine and land-based industrial applications, and can dramatically reduce the cost of long-term maintenance.

The flameproof “Ex d” versions come standard with two (2) M20 entries. The increased safety “Ex de” versions include a separate terminal chamber for quick field termination or pass-through wiring, and include three (3) M20 entries in a standard configuration.

The Global Series Strobe can be combined with all other Global Series audible and visual products in several custom configurations. Custom configurations can be ordered directly from the factory. Optional coupling kits, which allow limited field fixturing, are available.

FEATURES

- Available in 24VDC, 120VAC and 220-240VAC 50/60Hz
- Optional 316 stainless steel ratchet adjustable mounting U-bracket (field installation required)
- Non-metallic corrosion-resistant design
- 24VDC models contain a supervisory diode and four wire terminal block
- For use in alarm control panel applications
- Dome guard included
- M20 entries standard
- Type 4X, IP66 enclosure
- Zone 1, 21 Rated, IECEx, ATEX, Ex d IIC, Ex de IIC and Ex tb IIC
- UL and cUL Listed for Class I, Division 2, Groups A, B, C and D; Class II, Division 2, Groups F and G; and Class III
- UL and cUL Listed for Class 1, Zone 1 AEx db IIC T3: Zone 21, AEx tb IIC T200°C, excludes increase safety versions (Ex de)
- UL Fire Listed (24VDC, Clear model only)
- Optional indicator rings are available in six colors: Black, Blue, Green, Magenta, Red and Yellow
- Field customizable legend plates available¹

MODEL	OPERATING VOLTAGE	NOMINAL OPERATING CURRENT	FLASH ENERGY (JOULE)	LIGHT OUTPUT
G-STR	24VDC	1.5 amps	21	500 cd
	120VAC 50/60Hz	0.45 amps	21	500 cd
	220-240VAC 50/60Hz	0.34 amps	21	500 cd

UL/cUL HAZARDOUS LOCATION RATING

TEMPERATURE CODE AT 70°C

Class I, Division 2, Groups A, B, C, D	T1
Class II, Division 2, Groups F, G	T4A
Class III	T4A

ATEX/IECEx HAZARDOUS LOCATION RATING

TEMPERATURE CODE AT 70°C

T3

UL/cUL HAZARDOUS LOCATION CLASS/ZONE

TEMPERATURE CODE AT 70°C

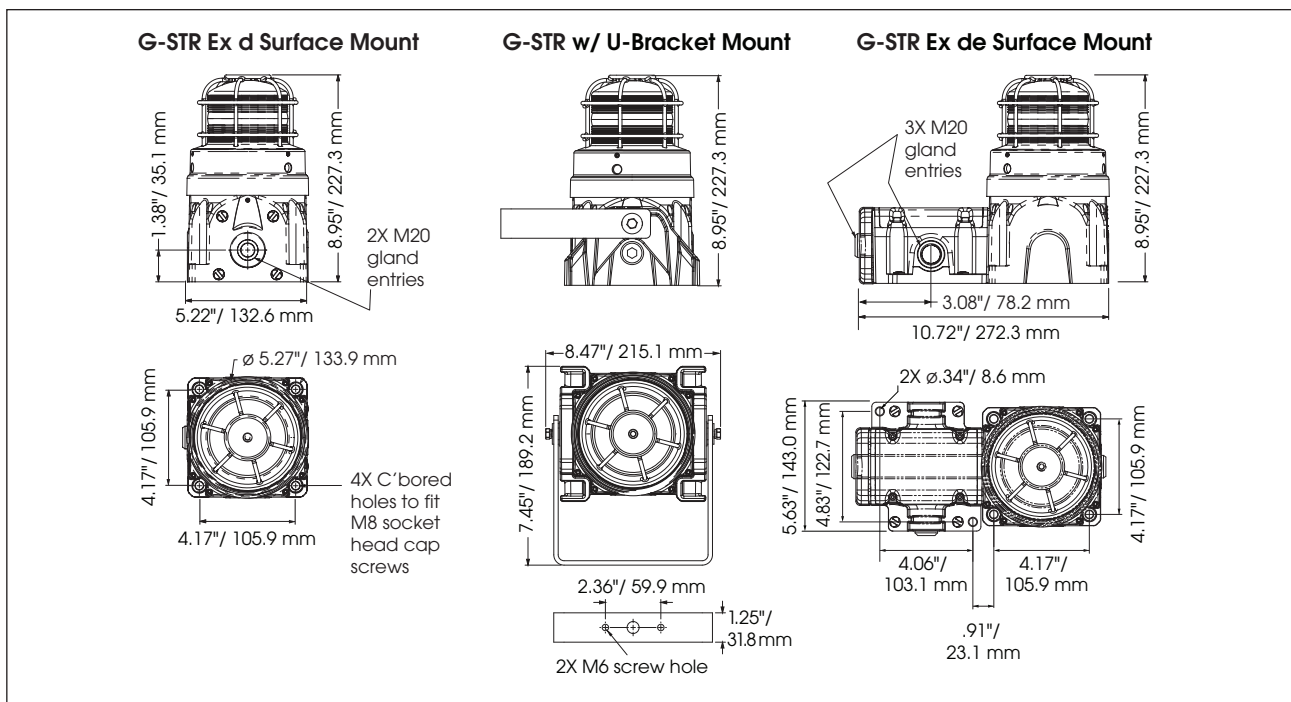
T3

¹ Recommended labels: BRADY #B-855 Toughwash labels or ULINE #S-16643 weather resistant



REPRESENTACION EXCLUSIVA PARA ARGENTINA
 SUFRE 1852 - LOMAS DE ZAMORA
 (011) 4298-0184 delgasa@delga.com
www.delga.com

Global Series Signaling Platform – 21J Strobe (G-STR)



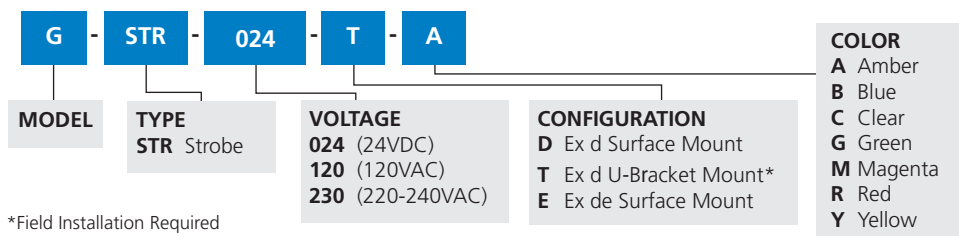
SPECIFICATIONS

Lamp Life:	10,000 Hours
Light Source:	Strobe
Operating Temperature Range:	-67°F to 158°F -55°C to 70°C
ATEX/IECEx Certification Marking:	
II 2GD Ex d IIC Gb, Ex tb IIIC Db IP66.	T3 @ 70°C
II 2GD Ex de IIC Gb, Ex tb IIIC Db IP66.	T3 @ 70°C
	ATEX: Baseefa15ATEX0154X
	IECEx: IECEx BAS 15.0103X
Guard and External Fasteners:	316 stainless steel
Terminals:	Ex d: 6 way block (3 in, 3 out)
	Ex de: 3-pole, 4 position quad pole terminal blocks
Cable Entries:	Ex d: 2 entries - M20 x 1.5
	Ex de: 3 entries - M20 x 1.5
UL and cUL Certification Marking:	
Class I, Division 2, Groups A, B, C, D	T1 @ 70°C
Class II, Division 2, Groups F, G	T4A @ 70°C
Class III	T4A @ 70°C
Net Product Weight	
Ex d Surface Mount:	7.17 lbs 3.25 kg
Ex d U-Bracket Mount:	9.15 lbs 4.15 kg
Ex de Surface Mount:	9.99 lbs 4.53 kg

REPLACEMENT PARTS

Description	Part Number
Strobe Internal Sub-assembly kit (Includes PCBAs, bracket and mounting screw)	
Strobe PCBA 24VDC	K859501402-024
Strobe PCBA 120VAC	K859501402-120
Strobe PCBA 230VDC	K859501402-230
Lens Strobe, Amber	K859500814
Lens Strobe, Blue	K859500814-01
Lens Strobe, Clear	K859500814-02
Lens Strobe, Green	K859500814-03
Lens Strobe, Red	K859500814-04
Lens Strobe, Magenta	K859500814-05
Lens Strobe, Yellow	K859500814-06
e-Box Endcap with M20 Opening	K859500805-02
e-Box Endcap with M25 Opening	K859500805-01
e-Box Cover Assembly (Includes two terminal blocks, mounting plate and retention hardware)	K859501414
Adapter, M20 Male to 1/2" Female NPT	K231246A
Adapter, M20 Male to 3/4" Female NPT	K231247

HOW TO ORDER



*Field Installation Required

Reference Global Series accessory products on pages 12 and 13 for list of available accessories.



REPRESENTACION EXCLUSIVA PARA ARGENTINA
 SUCRE 1852 - LOMAS DE ZAMORA
 (011) 4298-0184 delgasa@delga.com
www.delga.com